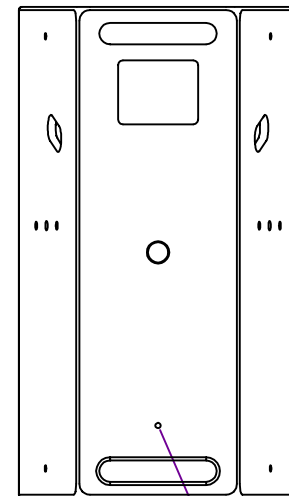
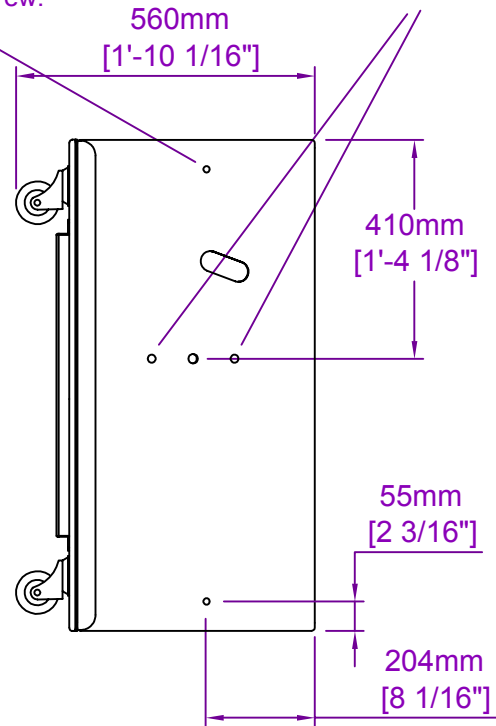
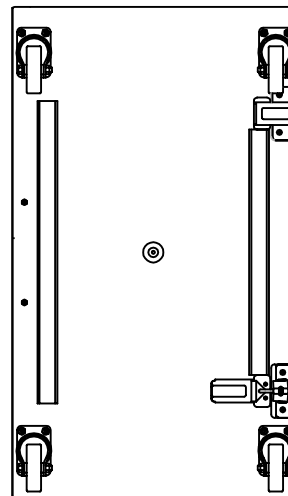


M10 Flypoint fitted with countersunk blanking screw.

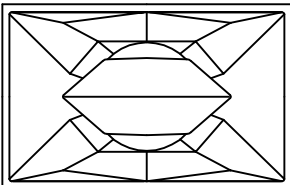
M8 Squaring bracket points fitted with countersunk blanking screw.



M10 Tilt point fitted with countersunk blanking screw.

All dimensions in mm and inches

Copyright Funktion-One Research Ltd 27/01/1999 Last revised 26/11/2007



FUNKTION-ONE

Hoyle, Horsham Road, Beare Green, Dorking, Surrey, RH5 4PS, England

Phone: +44 (0)1306 712820
Fax: +44 (0)1306 711240



mail@funktion-one.com
www.funktion-one.com

Product: Resolution 2

Notes: