

Completed assembly (not all fixings shown).

M10 eyebolts may be used instead of plain bolts, in some positions, in order to provide safety attachment and guide ropes/wires.

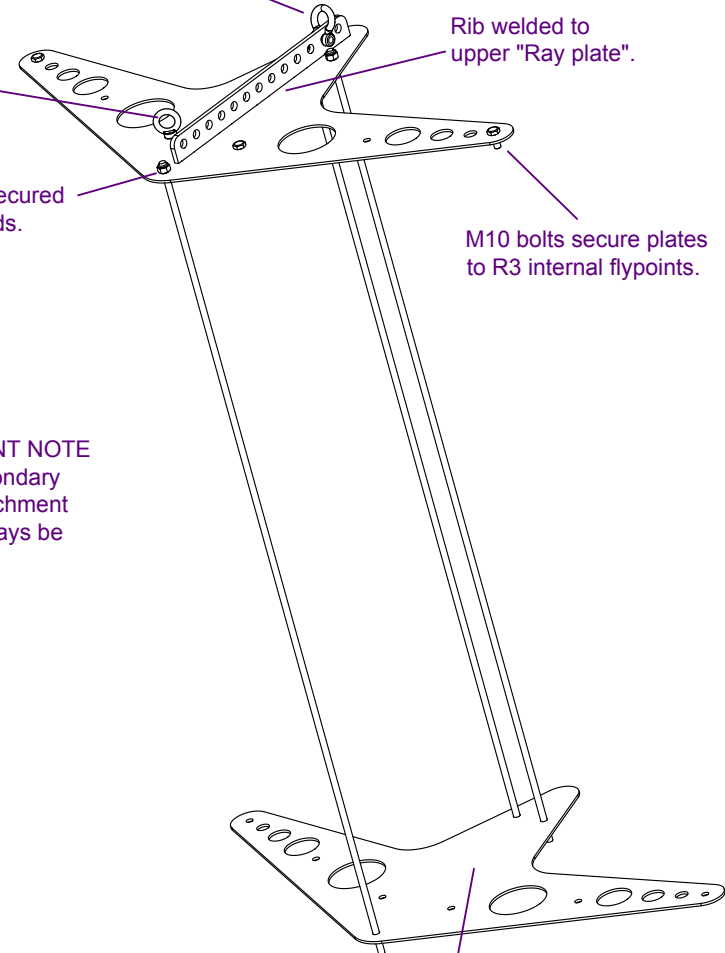
Lifting schackle.

Rib welded to upper "Ray plate".

M12 threaded rod secured with locknuts on ends.

M10 bolts secure plates to R3 internal flypoints.

IMPORTANT NOTE
In use secondary safety attachment should always be made.

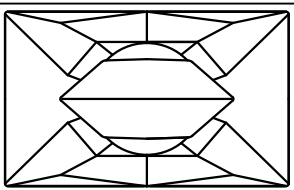


Central slots on lower "Ray plate" may be omitted.

Assembly without speakers (not all fixings shown).

All dimensions in mm and inches

Copyright Funktion-One Research Ltd



FUNKTION-ONE

Hoyle, Horsham Road, Beare Green, Dorking, Surrey, RH5 4PS, England

Phone: +44 (0)1306 712820

Fax: +44 (0)1306 711240



mail@funktion-one.com

www.funktion-one.com

Accessories for: Resolution 3

FP32-K1 - Flyplate Kit to fly two wide R3 with pick-up spine to top (2 plates plus studding) ideal for installs