

## RESOLUTION 1

The Resolution 1 is a radical, 2-way loudspeaker enclosure, resulting from Tony Andrews' 40 years pioneering research and development of high efficiency cone mid-range. A unique Funktion-One 5" loudspeaker eliminates the need for compression drivers with their associated harshness and distortion. This device, when used in conjunction with the dedicated Ahead-loaded waveguide, smoothly reproduces both mid-range and high frequencies with exceptional coherency and detail. Further, this 5" device seamlessly connects with the 12" ported low frequency driver at 520Hz. This is in contrast to conventional 2-way systems where compromised compression drivers are stretched to (almost) meet equally stretched and indistinct 12" or 15" low frequency drivers at between 1 and 2kHz. The accuracy, projection and imaging detail of the R1 make it ideally suited to high intelligibility applications including theatrical use.

The enclosure shape has a rear recess that can be fitted with the optional PX1 passive crossover module. The waveguide can be rotated for use in either vertical or horizontal formats.



### Features:

- Very low distortion
- Funktion One designed Neodymium drivers
- Rotatable mid-high waveguide for horizontal use
- Integral 35mm pole mount
- Optional full grill for discrete appearance
- Optional Passive Crossover Module (PX1)
- Complete range of flying and mounting options

Driver	Operating Band*	Sensitivity (1W at 1m)	Power (rms**)	Nominal Impedance
12"	25 - 520Hz	102dB	350W	8Ω
5"	520Hz - up	112dB	75W	12Ω

\*Please check website for latest crossover settings

\*\*AES rated

Frequency Response  $\pm 3$ dB:

60Hz - 15kHz

Weight:

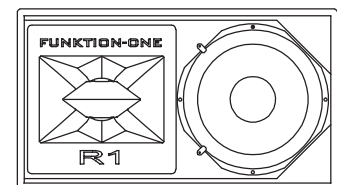
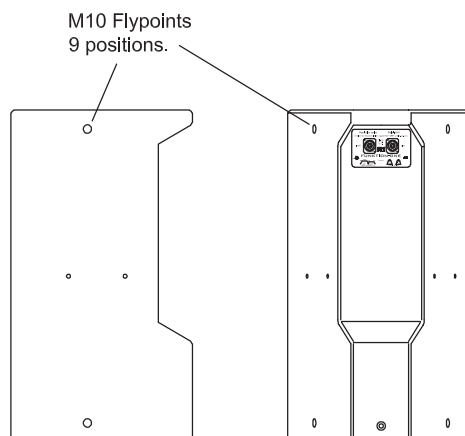
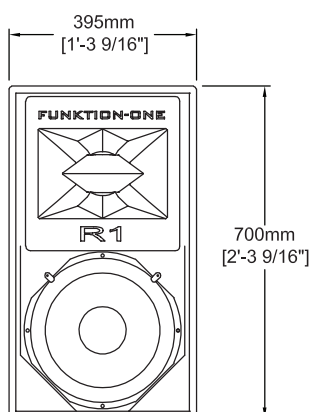
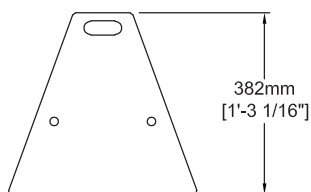
19kg (42lbs)

Nominal Dispersion:

50° Horizontal x 25° Vertical

Connectors:

2 x Speakon NL4



Horizontal Version