

## R3SH EVO

The R3SH Evo is a mid-high skeletal loudspeaker offering very high output and controlled directivity. It can be used in a wide range of applications which include being the high power mid-high section of a multi-way PA system (for example with F215s and F221s/BR221s) or in demanding speech based applications such as theatrical voice reinforcement.



### Features:

- Funktion One designed drivers with Neodymium Magnets
- Includes steel mounting yoke
- Optional scrim for discrete appearance
- Passive option available
- R3EH Evo version available in wooden enclosure

Driver	Operating Band*	Sensitivity (1W at 1m)	Power (rms**)	Nominal Impedance
10"	180 - 4kHz	108dB	250W	16Ω
1.4"	4kHz - up	109dB	75W	16Ω

\*Please check website for latest crossover settings

\*\*AES rated

Frequency Response  $\pm 3\text{dB}$ :

180Hz - 18kHz

Weight:

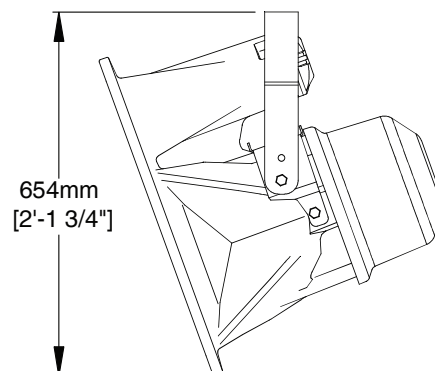
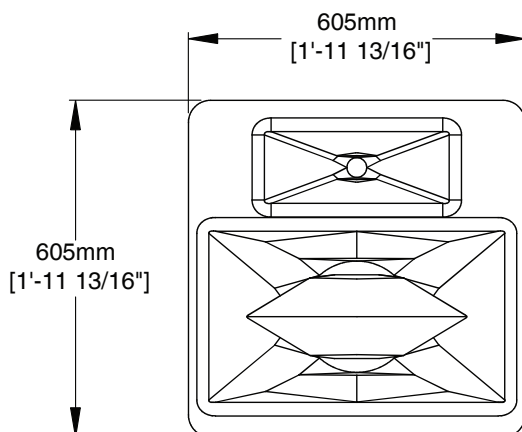
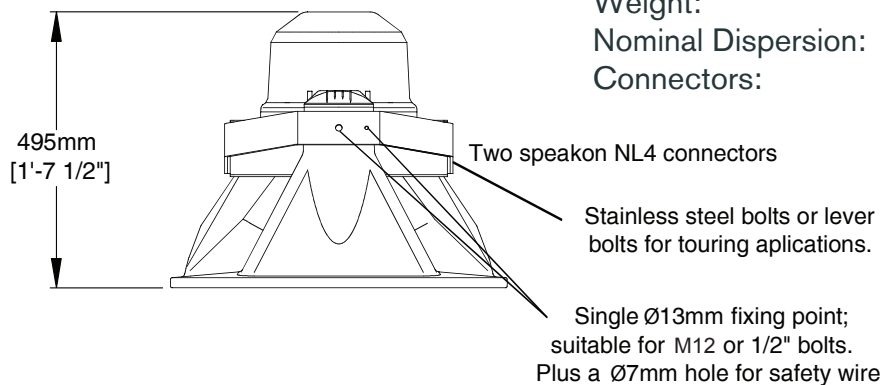
20.5kg (45lbs)

Nominal Dispersion:

50° Horizontal x 25° Vertical

Connectors:

Speakon NL4



Yoke allows  $\approx 135^\circ$  of rotation

