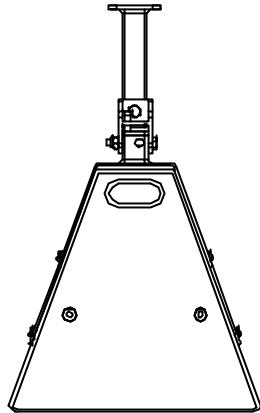


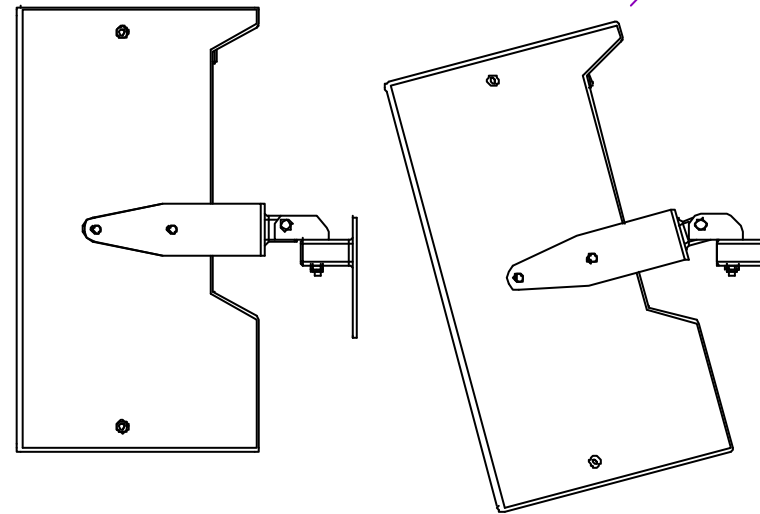
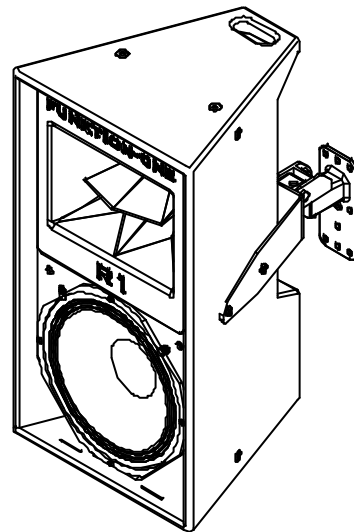
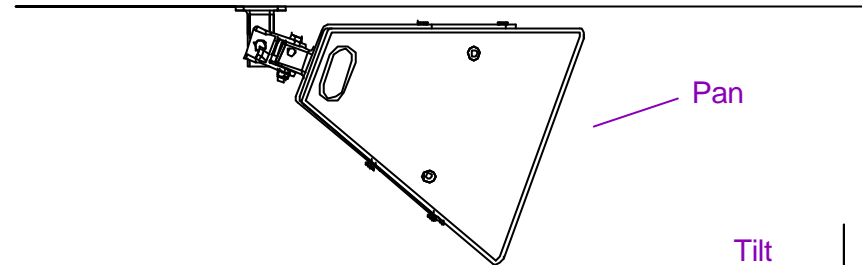
WM1-55



WM1-160

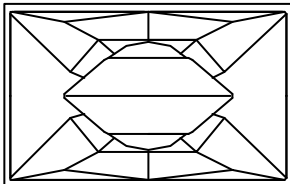
WM1-55 allows the cabinet to be rotated horizontally until the cabinet's side is parallel with the mounting wall

WM1-160 allows a greater tilt angle



All dimensions in mm and inches

Copyright Funktion-One Research Ltd



FUNKTION-ONE

Hoyle, Horsham Road, Beare Green, Dorking, Surrey, RH5 4PS, England

Phone: +44 (0)1306 712820

Fax: +44 (0)1306 711240



mail@funktion-one.com

www.funktion-one.com

Accessories for: Resolution 1

WM1-55 - Wall Bracket for R1 (short arm - 55mm) - allows pan and tilt

WM1-160 - Wall Bracket for R1 (short arm - 160mm) - allows pan and tilt