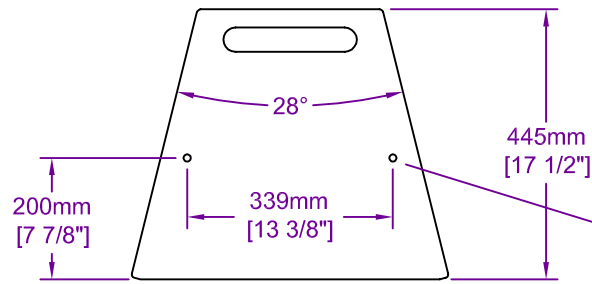
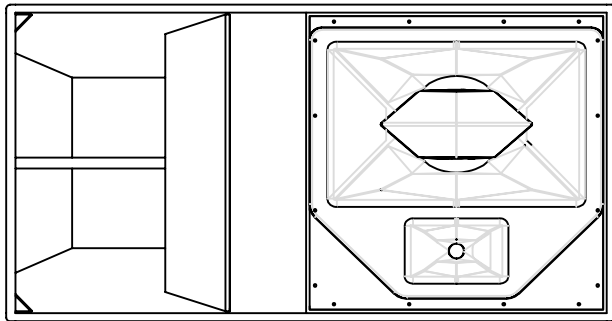


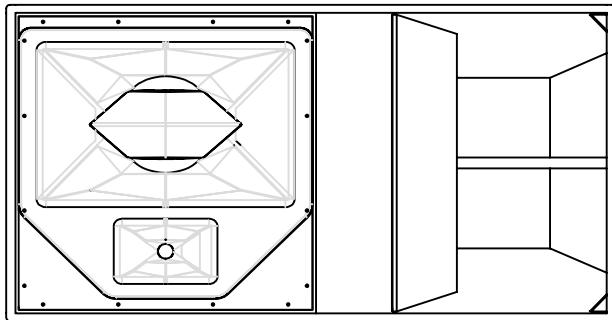
Cabinets can be used vertically or horizontally, either way up.



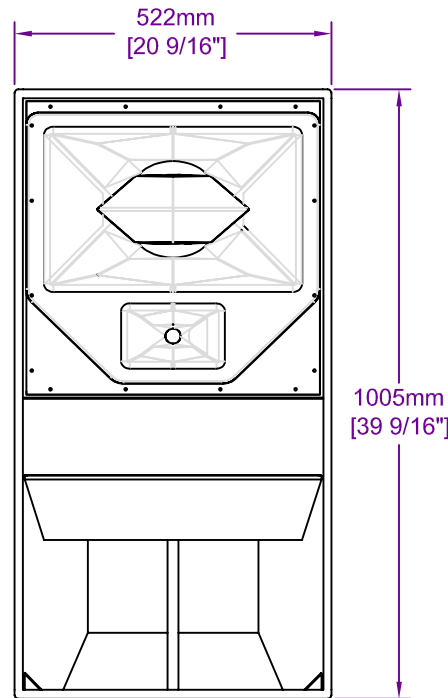
Eight M10 points internally connected in pairs by right-angle brackets, plus two M10 points on the back. Thread should penetrate at least 30mm into cabinet.



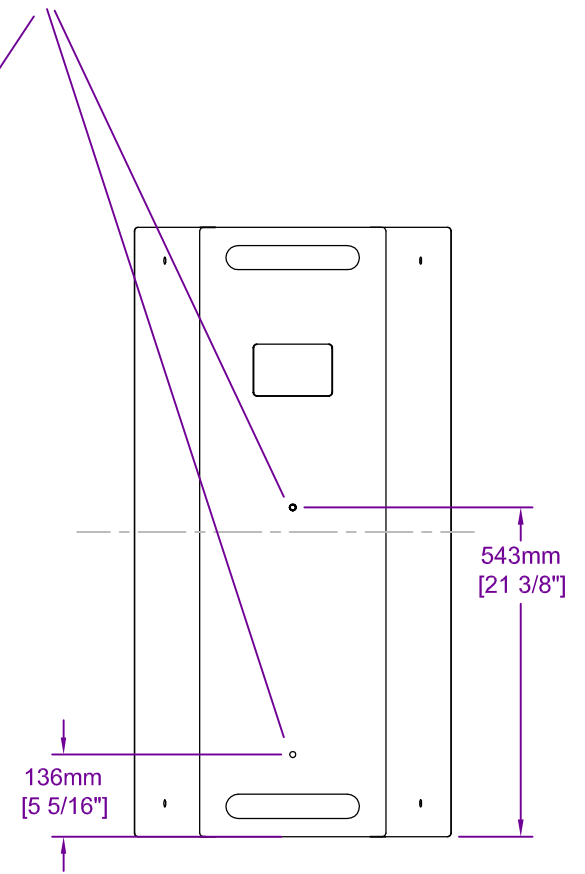
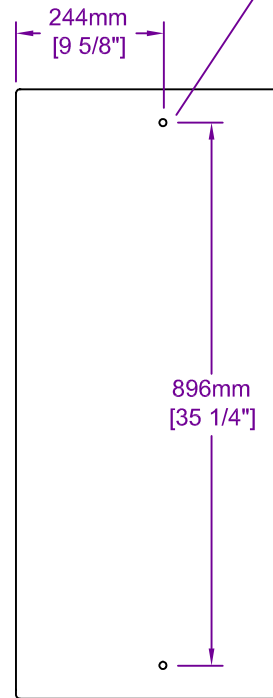
Right



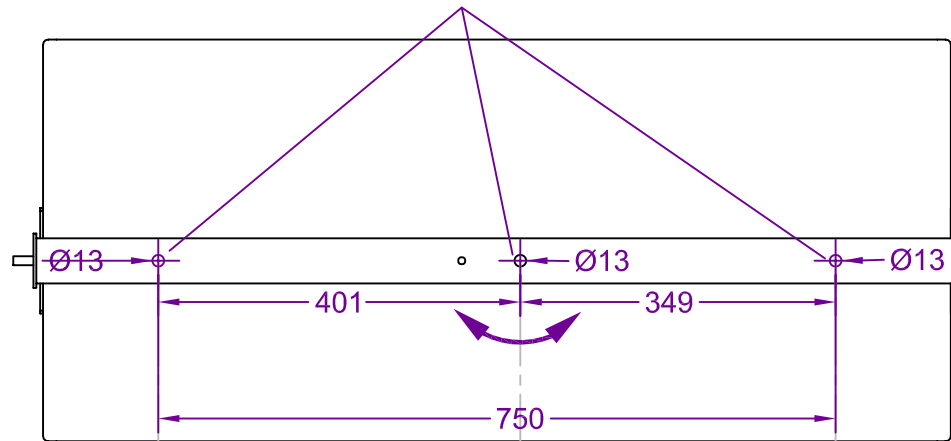
Left



Centre



Horizontal Yoke may be fixed directly to a wall or ceiling using the two end fixing holes. Alternatively it may be fixed directly to the ceiling using a single 12mmØ HT bolt allowing horizontal rotation (pan). A safety fixing should also be used.



Nuts or handwheels clamp yoke to pivot plates which are fixed to R2U using Flypoint blanking screws supplied with loudspeaker.

Horizontal Yoke

