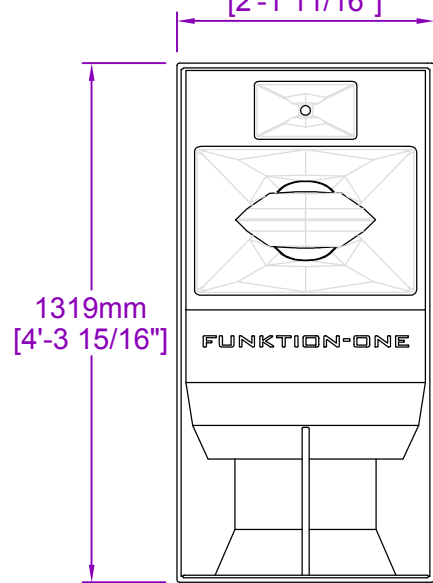
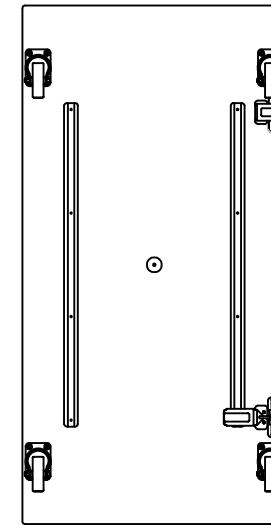
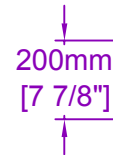
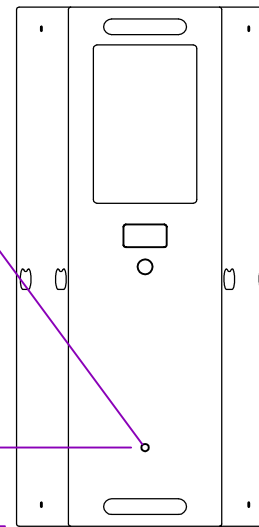
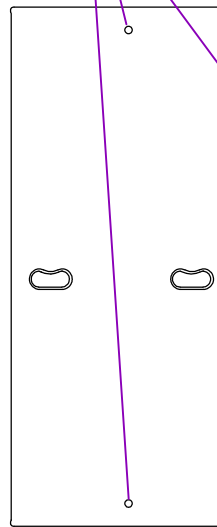


Horizontal version



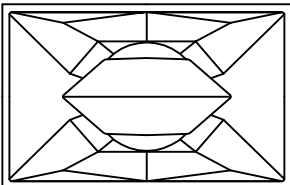
M10 Flypoint fitted with
countersunk blanking screw.



Wheelboard as optional extra

All dimensions in mm and inches

Copyright Funktion-One Research Ltd 04/09/2009 Last revised 04/09/2009



FUNKTION-ONE

Hoyle, Horsham Road, Beare Green, Dorking, Surrey, RH5 4PS, England

Phone: +44 (0)1306 712820
Fax: +44 (0)1306 711240



mail@funktion-one.com
www.funktion-one.com

Product: Resolution 3

Notes: