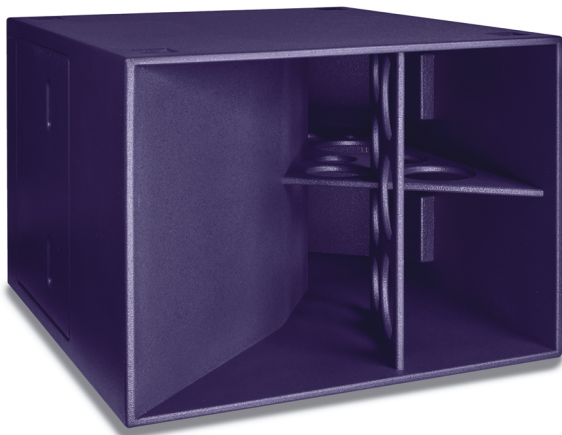


F124

The F124 takes Funktion One's bass loading and driver technology to the next level. Two voice coils and intense magnetic flux control the 24" cone with impressive accuracy, ensuring excellent transient response and extended depth to below 30Hz. This combination of mid-bass speed and impact with low-bass extension from a single enclosure, makes the F124 the perfect bass partner for Evolution systems and other Funktion One mid-high products.



Features:

- New Funktion One designed dual voice coil 24" driver
- FEA-optimised Neodymium magnet
- Integral handles
- Optional wheels
- Low centre of gravity for easy handling
- Location pucks & recesses for stacking
- Available in ultra durable black PU coating or classic Funktion One paint finish

Driver	Sensitivity (dB SPL at 2.83V/1m)*	Power (rms)**	Nominal Impedance
24" dual voice coil	107dB	2x 750W	2x 8Ω (4Ω total)
Frequency Response ±3dB: - 10dB points*:			35Hz - 160Hz 27Hz - 200Hz

Recommended crossover †:

HPF: 25Hz But24
LPF: 85Hz LR24

* Single cabinet in half space

** AES rated

† Please check website for latest crossover settings

Weight:

103kg (227lbs)

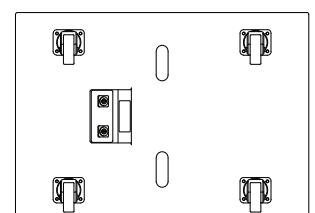
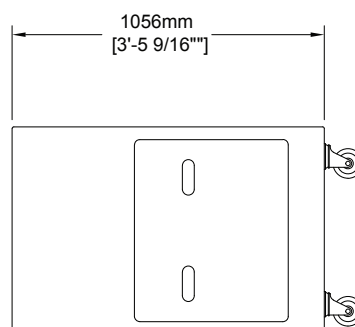
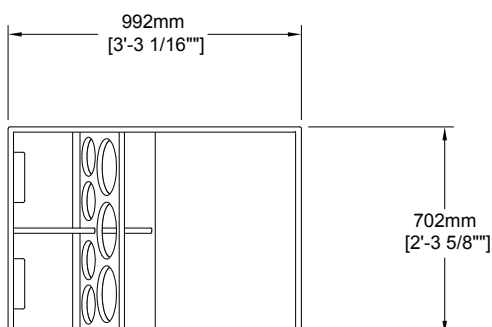
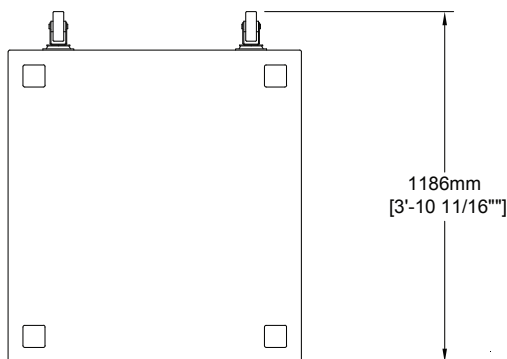
Construction:

18mm Birch Ply

Connectors:

Speakon NL4

(One voice coil wired pins 1+/- and the other on 2+/-)



Wheels optional

