

F55

The F55 ultra compact loudspeaker is the perfect choice for applications requiring wide dispersion near field coverage including bars, theatre front fill, under balcony and domestic use. This high sensitivity enclosure delivers good vocal intelligibility with excellent clarity and imaging detail; attributes not usually present in compact loudspeakers. Dual 5" drivers manufactured to Funktion One specification have been carefully optimised with the enclosure tuning for use without processing or system equalisation for natural simplicity and high fidelity. In common with the F81 and F101, out of operating band low frequency protection is incorporated. If additional bass reinforcement is required our smaller bass products including the MB112, MB210LP and BR115 enclosures make the perfect complement.

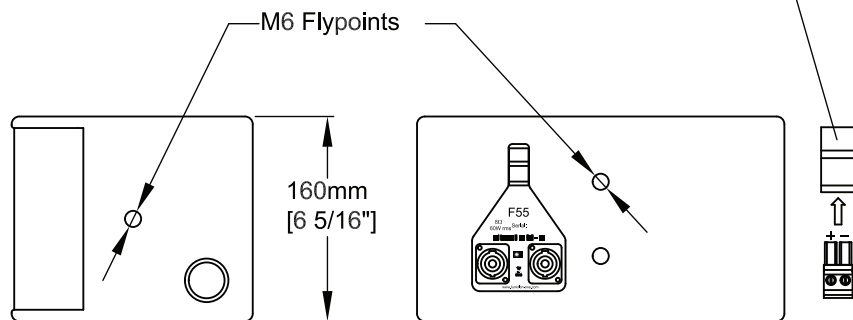
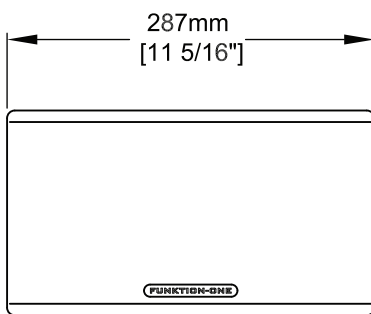
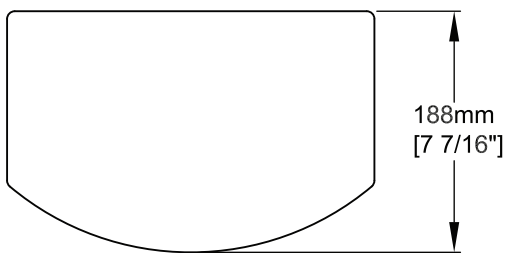


Features:

- Ultra-compact enclosure
- Wide and even dispersion
- 5" drivers optimised to Funktion One specification
- Excellent sensitivity
- No compression driver
- Choice of Speakon or installation connectors
- M6 mounting and attachment points
- Curved powder coated steel grill

Driver	Sensitivity (1W at 1m)	Power (rms*)	Nominal Impedance
2 x 5" <i>*AES rated</i>	95dB	60W	8Ω

Frequency Response $\pm 3\text{dB}$:	170Hz - 16kHz
Weight:	3.5kg (7.5lbs)
Nominal Dispersion:	90° x 45°
Connectors:	2 x Speakon NL4 or Phoenix installation connectors



Fitted with two Speakon NL4s or The Phoenix installation connector, complete with cable plug.

