

RESOLUTION 2

The Resolution 2 is an entirely horn-loaded, surprisingly compact, full range loudspeaker enclosure. The driver complement comprises a 15" for bass, an 8" for midrange and a 1" for high frequencies. Funktion One's waveguide and driver technology produces clear, involving and powerful sound. The R2's unique combination of size, high efficiency and sonic excellence make it ideally suited to a wide range of uses. This loudspeaker resolves the requirement for quality, response and level from a small source.

Resolution 2 systems can be supplemented with additional Funktion One bass including Infrabass, BR Series or F Series enclosures. A slightly larger horizontal version (R2U) is available for installation in venues with low ceiling heights.



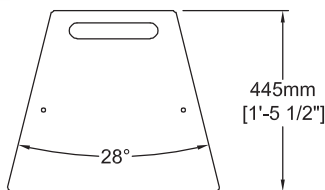
Features:

- Full range, stand alone enclosure
- Fully horn loaded for high efficiency
- Three-way bi-amped (passive HF)
- Funktion One designed drivers
- Complete range of flying and mounting options
- Fitted with M10 flypoints
- Optional Wheelboard
- Optional scrim for discrete appearance
- R2S8, R2SH and R2EH mid/mid-high versions also available

Driver	Operating Band*	Sensitivity (1W at 1m)	Power (rms**)	Nominal Impedance
15"	28 - 250Hz	102dB	400W	} 12Ω Total
8"	250 - 6k5Hz	106dB	200W	
1"	6k5Hz - up	107dB	50W	

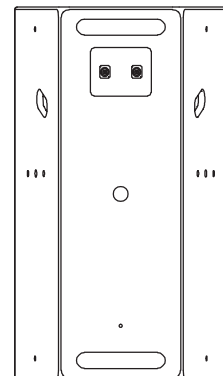
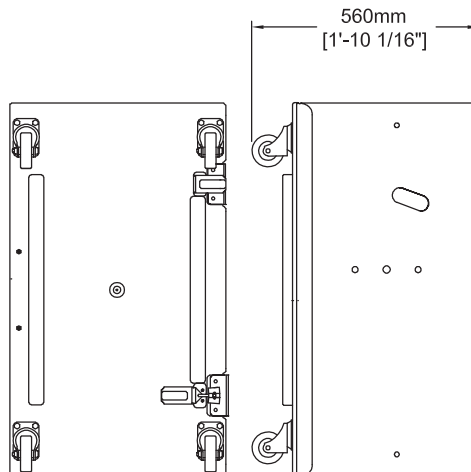
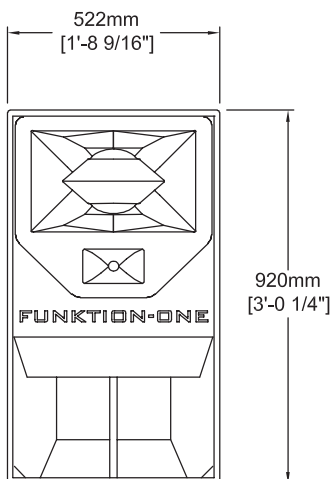
*Please check website for latest crossover settings

**AES rated



Frequency Response $\pm 3\text{dB}$:
 Weight (without wheelboard):
 Nominal Dispersion:
 Connectors:

50Hz - 18kHz
 48kg (106lbs)
 50° Horizontal x 25° Vertical
 2 x Speakon NL4

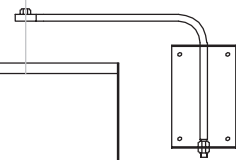


HC2



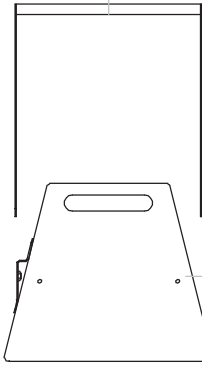
HC2 - Scaffold Clamp used to attach YS2 or YU2 to scaffold bar.

WM2



WM2 - Wall Mount Kit used in conjunction with YS2 Yoke. (If arm is perpendicular to wall then the Resolution 2 can be angled down with a maximum angle of 30 degrees).

YS2



YS2 - Simple Yoke picks up the Resolution 2 from above, attaching to SB2 Squaring Brackets on each side of the enclosure. This is suited to top suspension tilt down applications.

SB2-K

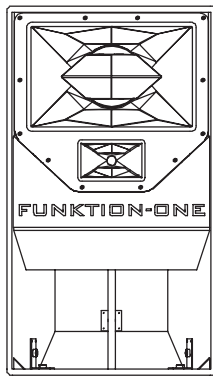


SB2-K - Squaring Brackets attach to both sides of the Resolution 2 providing parallel surfaces to accept either type of yoke (YS2 or YU2).

FB21



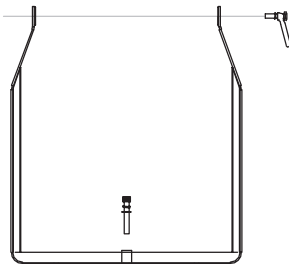
FB21 - Single Flybar provides an alternative single point lifting method and attaches to internal plates at the top of the Resolution 2.



YU2 - Universal Yoke has stronger arms than the YS2 and can also be used to support the R2 from underneath. It has clearance to allow the cabinet to fully rotate between the supporting arms and attaches to the R2 via Squaring Brackets. For stand mounting the YU2 should be ordered with the SA 14/2E HD Stand Top Adaptor.

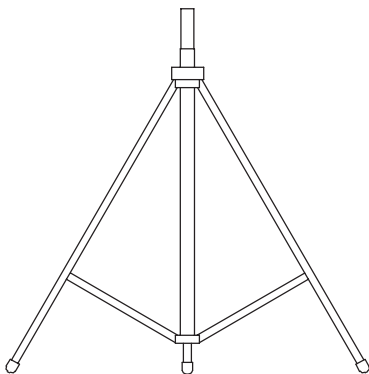
Loudspeaker Stand available on request.

YU2



FP22-K1 - Flyplate Kit to fly two wide R2 with pick-up spine to top (2 plates plus studding) ideal for installs - see below

SA14/2E HD



FP22-K1

