

R3EH EVO

The R3EH Evo is a mid-high loudspeaker enclosure offering high output and controlled directivity. It is most frequently used as the high power mid-high section of a multi-way PA system (for example with F215s and F221s/BR221s) or as stage infills for larger systems.



Features:

- Funktion One designed drivers with Neodymium Magnets
- Optional grill for discrete appearance
- Passive option available
- R3SH Evo skeletal version available

Driver	Operating Band*	Sensitivity (1W at 1m)	Power (rms**)	Nominal Impedance
10"	180 - 4kHz	108dB	250W	16Ω
1.4"	4kHz - up	109dB	75W	16Ω

*Please check website for latest crossover settings

**AES rated

Frequency Response ± 3 dB:

180Hz - 18kHz

Weight:

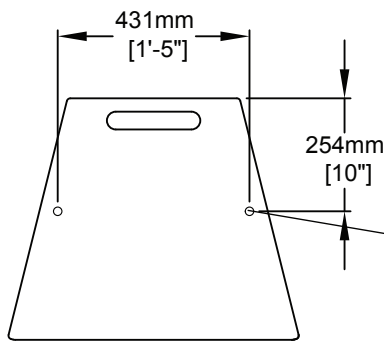
38kg (84lbs)

Nominal Dispersion:

50° Horizontal x 25° Vertical

Connectors:

Speakon NL4



Cabinet has the same footprint as a Resolution 3

